

Datasheet

ADA-I9141

USB to RS-485 / RS-422 Converter (without isolation)



APPLICATION

ADA-I9141 converts USB to RS-485/RS-422 standard without interference of data format and it is automatically detected by PC system after connecting to USB network (Plug&Play device).

ADA-I9141 uses data transmission lines Rx, Tx & GND (signal ground) for communication with other RS485/422 devices.

This converter doesn't require external power supply (it is powered from USB bus) and it uses asynchronous baud rate up to 921,3 kbps (drivers for STANDARD baud rate) / 1500000 bps (drivers for PROFIBUS baud rate).

A-type USB Mail plug (or USB cable with A-type connector) enables simple connection to computer and on other side simple connection the RS485/422 Bus provide plug-in screw terminal block.

Together with ADA-I9141 we provide the drivers, which after installation, create in operating system additional COM port on the next free number e.g. COM3. It can be use as standard COM port but it isn't hardware port but virtual, create in Windows system. This is the reason why some applications running in DOS and use this port, can operate improperly.

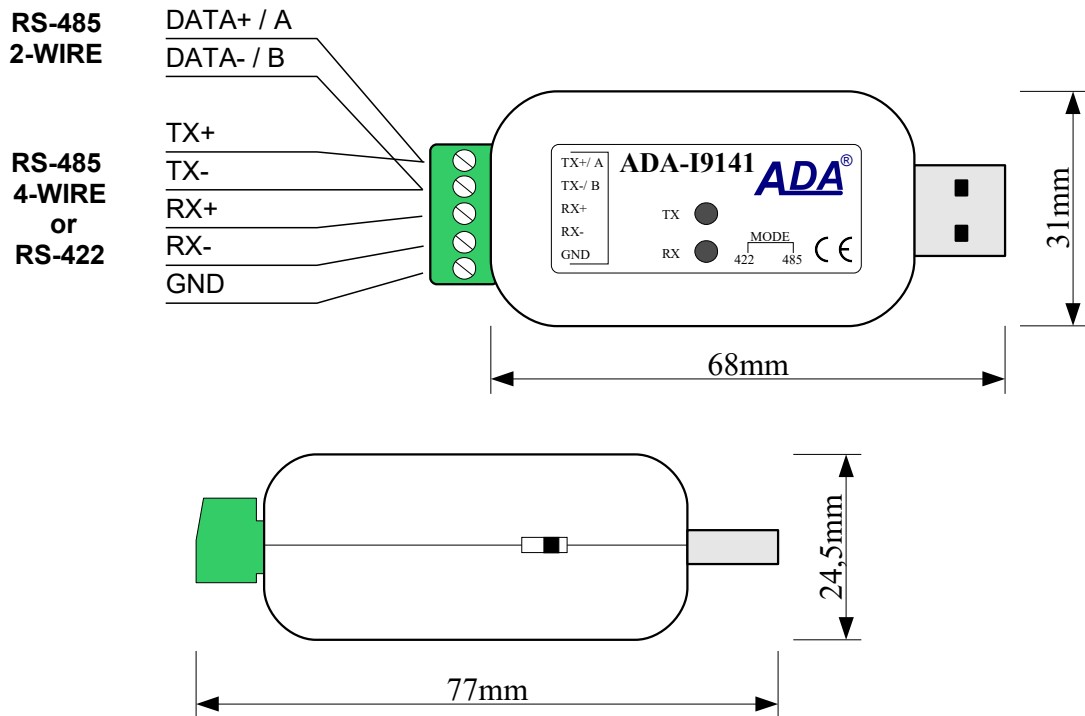
TECHNICAL DATA

Transmission Parameters		
Interface	USB	RS-485/422
Connector	A-type Mail	Screw terminal block, max. wire Ø 1mm ²
Max. Line length	up to 5m	1200 m (depend on baud rate)
Max. number of connected device	1	32 / 2

Transmission line	USB cable with socked A-type	Twisted cable 1-pair, 2-pair or 4-pair, UTP Cat.5e, shield inside large interferences STP Cat. 5e.
Standards	do 921,6 kbps (Standard) / do 1500 kbps (Profibus)	do 921,6 kbps (Standard) / do 1500 kbps (Profibus)
Max. baud rate	Asynchronous, half duplex or full duplex,	
Transmission type	EIA-485, CCITT V.11, USB1.1, USB2.0	
Optical Signalization	<ul style="list-style-type: none"> RX red LED data reception on RS485/422 port, TX yellow LED data transmission on RS485/422 port, 	
Electrical Parameters		
Power requirements	from USB of Computer	
Power Cable	USB cable	
Power	< 0,5W	
Protection from reverse power polarization	Not applicable	
Galvanic Isolation	No	
Optoisolation	No	
Electromagnetic compatibility	Resistance to disruptions according to the standard PN-EN 55024. Emission of disruptions according to the standard PN-EN 55022.	
Safety requiring	According to the PN-EN60950 norm.	
Environment	Commercial and light industrial.	
Environmental Parameters		
Operating temperature	0 ÷ 50°C	
Humidity	5 ÷ 95% - non-condensing	
Storage temperature	-20 ÷ 70°C	
Casing		
Dimensions (W x D x H)	55mm x 30mm x 24,5mm	
Material	ABS	
Degree of casing protection	IP30	
Weight	< 0,10 kg	
Implementation of Standard	Not applicable	
Location during work	Free	
Mounting method	Not applicable	

WITHOUT GALVANIC ISOLATION

DIMENSIONS AND CONNECTION



NO VERSIONS