

User manual

DES-300E

Digital environmental parameters sensor



Contents

1. GENERAL INFORMATION.....	3
1.1. WARRANTED INFORMATION.....	3
1.2. GENERAL CONDITIONS FOR SAFE USE.....	3
1.3. CE LABEL.....	3
1.4. ENVIRONMENTAL PRESERVATION.....	3
1.5. SERVICE AND CONSERVATION.....	3
1.6. PACK CONTENTS.....	3
2. APPLICATION.....	3
3. COOPERATION WITH OTHER 1-WIRE DEVICES.....	4
4. VIEW OF SENSOR.....	4
5. CONNECTION OF 1-WIRE BUS.....	5
5.1. CONNECTION TO 1-WIRE BUS – SENSOR POWER SUPPLY FROM ADA-401WP.....	5
5.1.1. EXAMPLE OF CONNECTION SENSORS TO ADA-401WP.....	6
5.2. 1-WIRE BUS CONNECTION – SENSOR AND ADA-401WP POWERING FROM 12VDC POWER SUPPLY.....	7
5.2.1. EXAMPLE CONNECTION OF SENSORS TO ADA-401WP.....	8
6. VERSIONS.....	9
7. SPECIFICATIONS.....	9

1. GENERAL INFORMATION

1.1. WARRANTED INFORMATION

CEL-MAR Company gives a two-year warranty on the **DES-300E sensor**. The warranty does not cover damage caused from improper use, materials consumption or any unauthorized changes. If the product does not function in accordance with the instructions, will be repaired or replaced.

All warranty and no warranty repairs must be returned with paid transport and insuring to the **CEL-MAR Company**.

CEL-MAR Company under no circumstances won't be responsible for ensuing damage from improper using the product or as a result of random causes: the lightning discharge, the flood, the fire and the like.

CEL-MAR Company is not be held responsible for damages and loss including: loss of profits, loss of data, pecuniary losses ensuing from using or the impossibility of using this product.

In specific cases **CEL-MAR Company** discontinue all warranties and in particular do not follow the user manual and do not accept terms of warranty by the user

1.2. GENERAL CONDITIONS FOR SAFE USE

The device should install in the safe and stable place, the connecting cable should be arranged this way isn't exposed to treading, catching or tear out from sensor

Do not put device on the wet surface.

Do not connect devices for nondescript powering sources,

Do not damage or crush powering wires.

Do not make connection with wet hands.

Do not adapt, open or make holes in casings of the device!

Do not immerse device in water or no other liquid.

Do not put the fire opened on device sources: candles, an oil lamps and the like.

1.3. CE LABEL



CE symbol on organizing the company CEL-MAR a conformity of the device to the directive of the electromagnetic **EMC 2014/30/WE** (Electromagnetic Compatibility Directive). The declaration of the agreement is accessible through the contact with the technical service at the address e-mail: service@cel-mar.pl or on the phone at the +48 41 362-12-46.



1.4. ENVIRONMENTAL PRESERVATION

This sign on the device inform about putting expended device with other waste materials. Device should send to the recycling. (In accordance with the act about the Electronic Appliance Expended from day 29 of July 2005)

1.5. SERVICE AND CONSERVATION

It is recommended to check the status of cases and sensor connecting cables, to eliminate the effect of mechanical damage on the quality of measurement.

Technical support at the number: +48 41 362-12-46 in 8.00-16.00, from Monday to Friday

1.6. PACK CONTENTS

The sensor is delivered with: user manual,

2. APPLICATION

DES-300E sensor is used for measurement of environmental parameters like temperature, relative humidity, illumination, sunlight in:

- offices with the use of structured cabling
- flats
- houses

via the serial 1-WIRE Bus.

Application of 1-Wire bus enables:

- the cooperation of many sensors connected to the same data lines,
- the deployment of sensors in various locations up to 300m,
- powering the sensors from the bus,
- correct transmission of measurement data secure check sum CRC.

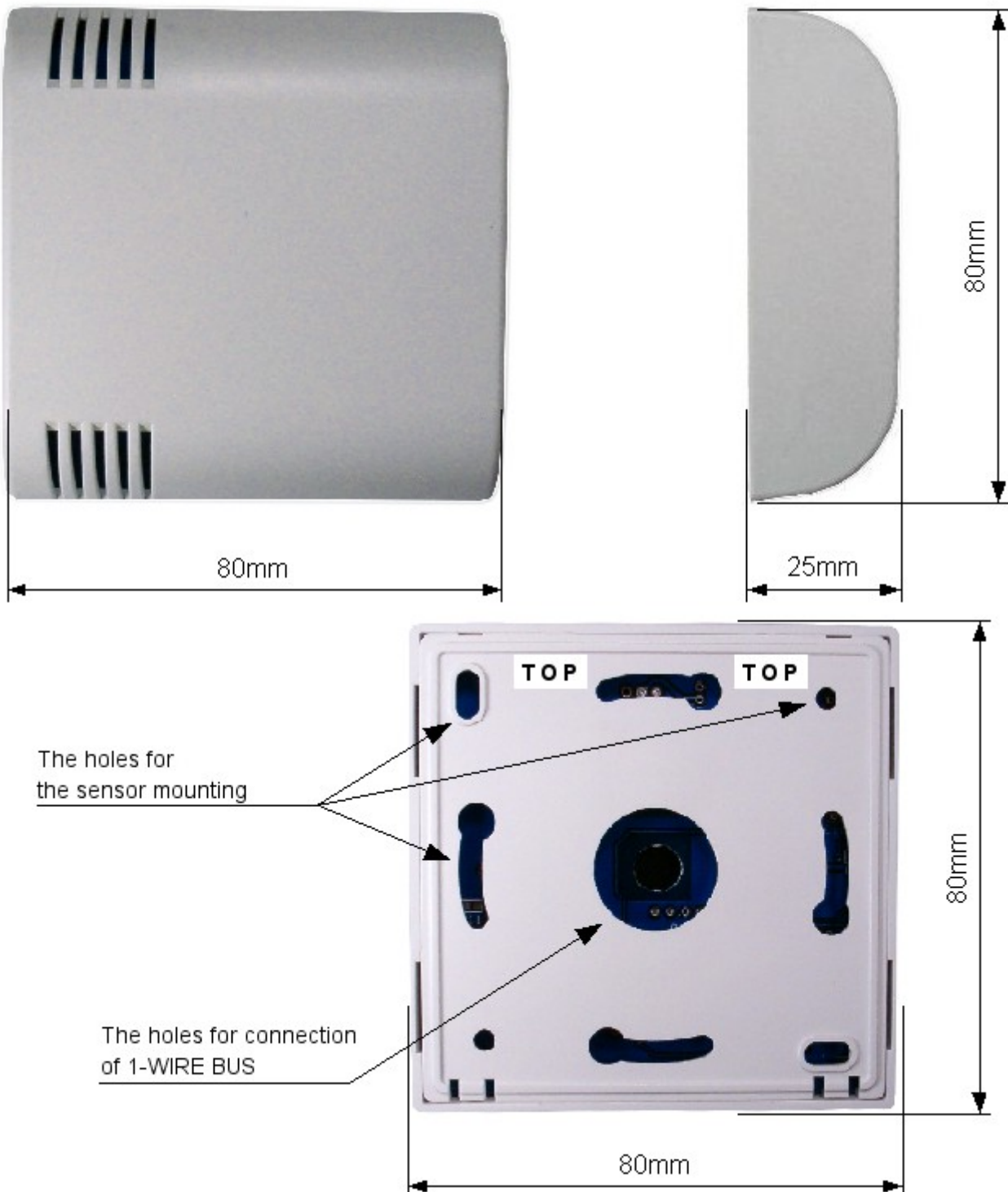
DES-300 sensor can be installed on wiring recessed cans or on the walls.

3. COOPERATION WITH OTHER 1-WIRE DEVICES

DES-300E sensor cooperates with 1-WIRE devices used for creation of monitoring and control systems for environmental parameters:

- ADA-401WP Measuring Module 1-WIRE to MODBUS-RTU,
- DNB-400 Passive 1-WIRE Bus Splitter,
- DNB-215 Passive 1-WIRE Bus Splitter,
- DNB-200 Passive 1-WIRE Bus Splitter,
- other 1-WIRE sensors eg. DTS-RJ45, DTS-103, DTS-107, DES-200, DES-215, DES-300.

4. VIEW OF SENSOR



5. CONNECTION OF 1-WIRE BUS

In the purpose of connection the sensor to the bus you should:

a) by the use of small screwdriver disassemble the rear panel as shown below



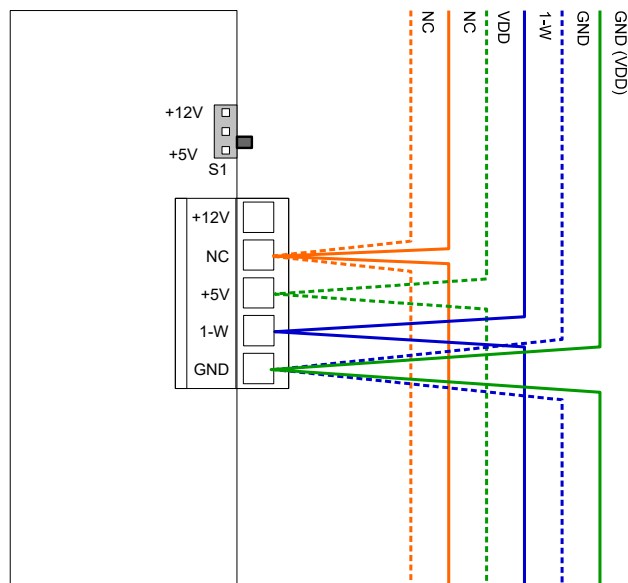
b) removed from the cover the PCB as shown below

c) connect 1-WIRE bus according to below step.

5.1. CONNECTION TO 1-WIRE BUS – SENSOR POWER SUPPLY FROM ADA-401WP

a) connect the bus to terminal block, described as below:

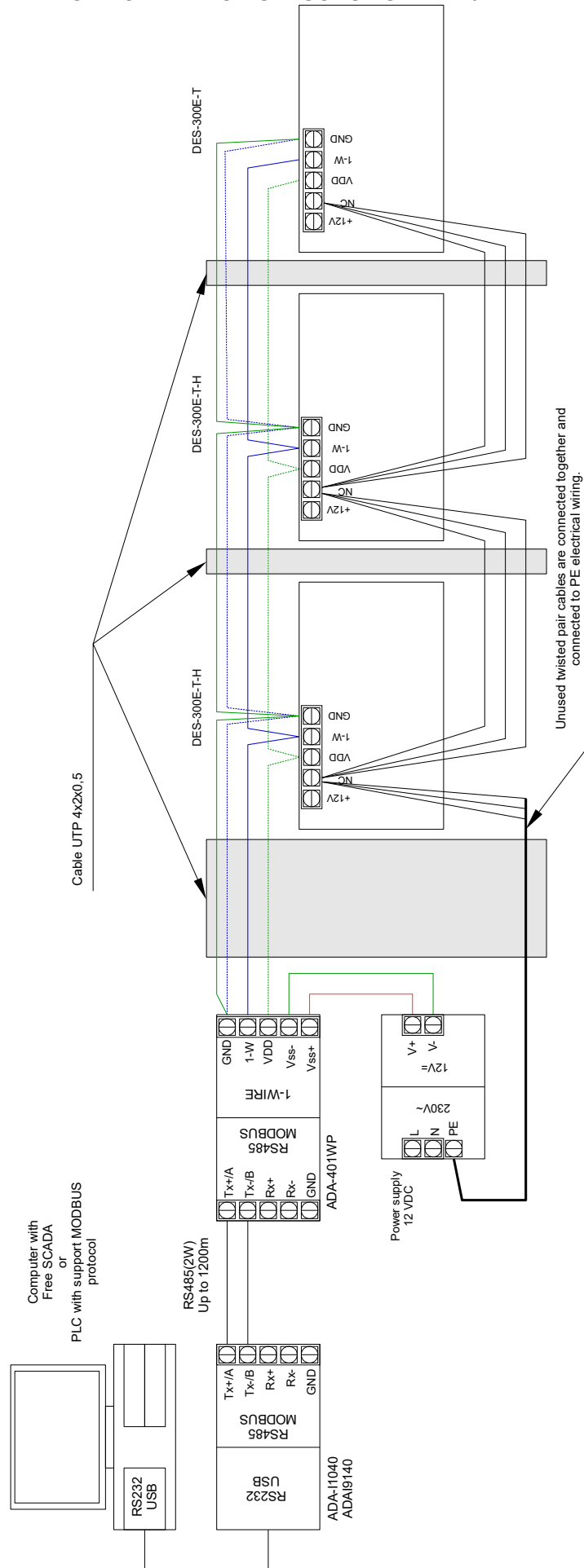
+5V powering the bus +5VDC, 1-W – 1-WIRE data transmission, GND – signal ground.



b) after connection 1-WIRE bus to terminals +5V, 1-W, GND of DES-300E :

- set the S1 switch to +5V position (*Not applicable to the temperature sensor DES-300E-T*),
- fix the rear panel of sensor on electro-installation box or a wall,
- insert the PCB to the cover, terminals to inside or insert DS18B20 with screw terminal block in case of DES-300-TE sensor,
- put the cover on rear panel.

5.1.1. EXAMPLE OF CONNECTION SENSORS TO ADA-401WP

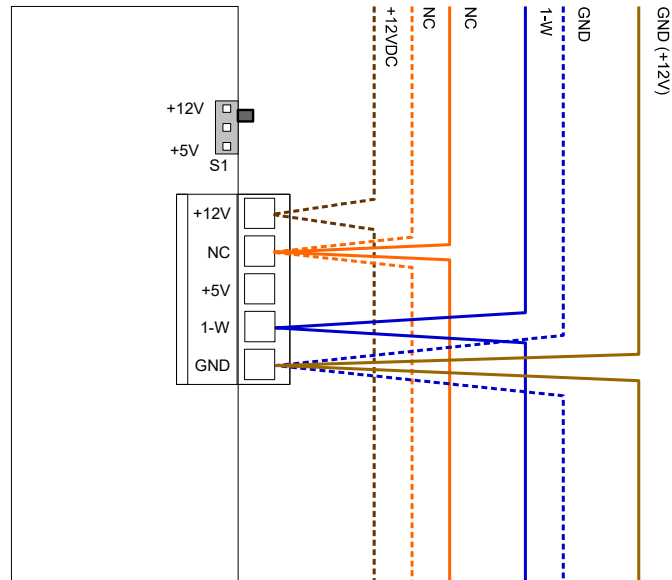


5.2. 1-WIRE BUS CONNECTION – SENSOR AND ADA-401WP POWERING FROM 12VDC POWER SUPPLY

The following points do not relate to temperature sensor in version DES-300E-T.

a) connect the bus to terminal block, described as below:

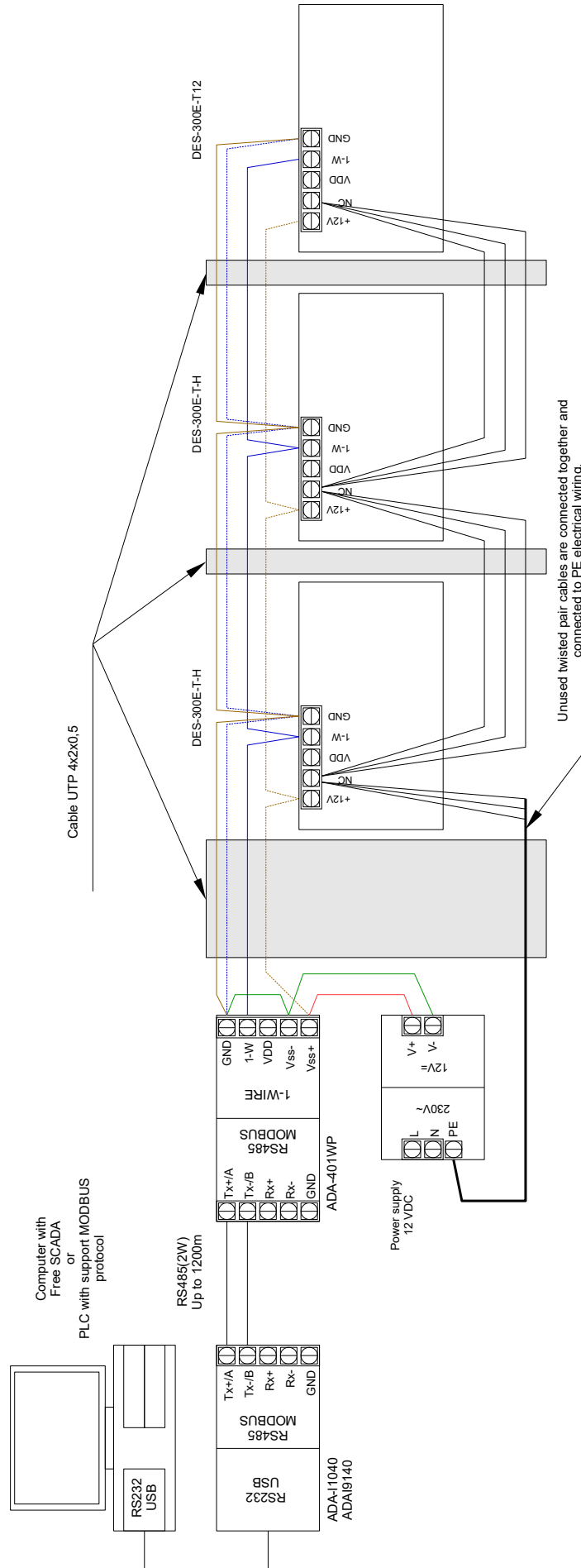
+12VDC – powering from additional power supply., 1-W – data transmission 1-WIRE, GND – signal ground



b) after connection 1-WIRE bus to terminals +12VDC, 1-W, GND of DES-300E:

- set the S1 switch to 12V position (*Not applicable to the temperature sensor DES-300E-T*),
- fix the rear panel of sensor on electro-installation box or a wall,
- insert the PCB to the cover, terminals to inside,
- put the cover on rear panel.

5.2.1. EXAMPLE CONNECTION OF SENSORS TO ADA-401WP



6. VERSIONS

DES-300E -		
Sensor Type:		Temperature sensor can be mixed with relative humidity sensor or lighting sensor or sunlight sensor
Temperature sensor (-20°C ... +70°C)	T	Order example:: Product symbol: DES-300E-T-H T-H - temperature and relative humidity sensor
Temperature sensor (-20°C ... +70°C) with power supply 12VDC	T12	
Relative humidity sensor (0% ... 100% RH)	H	
Lighting sensor (0% ... 100% Lux)	L	
Sunlight sensor (0% ... 100% SLux)	SL	

7. SPECIFICATIONS

Parameters	Data
Parameters of Temperature Sensor	
Measuring range of temperature	-20°C ... +70°C
1-WIRE Transducer	DS18B20
Measuring accuracy of temperature transducer	+/-0,5°C in the scope -10°C...+85°C
Temperature transducer resolution	12 bytes (0,06°C)
Parameters of Humidity Sensor	
Measuring range of relative humidity	0% ... 100% RH
Measuring accuracy of relative humidity	+/-3,50% RH
Parameters of Lighting Sensor	
Measuring range of lighting	0% ... 100% Lux
Measuring accuracy of lighting	+/-0,5% Lux
Parameters of Sunlight Sensor	
Measuring range of sunlight	0% ... 100% SLux
Measuring accuracy of sunlight	+/-0,5% Lux
General Parameters	
Supply voltage	From 1-WIRE bus VDD=5VDC or from 12VDC stable power supply
Max. power	10mW – 600mW (depend on version)
Protection from reverse power polarization	YES Warning! for reverse power on is shorted VDD to GND
Bus cabling	Recommended UTP 4x2x0.5 AWG24 twisted cable
Operating temperature	from -20°C to +70°C
Material	ABS
Protection degree	IP20
Dimensions	80 x 80 x 25 mm
Weight	0,05 kg
Storing and Transportation	
Storage temperature	-20°C ÷ +70°C
Humidity	5 ÷ 95% - non-condensing

Dear Customer,

Thank you for purchasing **CEL-MAR Company** products.

We hope that this user manual helped you to connect and start up the purchased device. We also wish to inform you that we are a manufacturer of: data transmission converters with interface RS232, RS485, RS422, USB, Current Loop, Fiber Optic Converters, 1-Wire, ETHERNET, Wi-Fi; digital sensors as: temperature, humidity, pressure, illumination; power supply

Please express your opinion by e-mail or phone on this product, and advise us how we can satisfy you present and future of expecting.

CEL-MAR sp.j.

Computers Science and Electronic Factory
str. Sciegiennego 219C
25-116 Kielce, Poland

Tel..... : +48 41 362-12-46
Tel/fax..... : +48 41 361-07-70
Web..... : <http://www.cel-mar.pl>
Office..... : biuro@cel-mar.pl
Sales department..... : handlowy@cel-mar.pl
Technical Information : serwis@cel-mar.pl