

## Datasheet

### ADA-I9111

#### USB to RS-232 Converter (without isolation)



#### APPLICATION

ADA-I9111 converts USB standard to RS-232 without interfering in the format of transmitted data. Converter to communicate with RS-232 interface devices uses transmission lines as Rx, Tx, RTS, CTS, DTR, DSR, DCD, RI and GND (ground) and it is automatically detected by the computer system after connecting to USB socket (Plug&Play device). This converter doesn't require external power supply (it is powered from USB bus) and it uses asynchronism baud rate up to 921,3 kbps. Purchasing the converter you will also receive drivers for Windows, Linux. Installing this software on Operating System it adds the additional COM port about the next free number, witch can be used as standard COM port. It is virtual COM port therefore some software use DOS can work improperly.

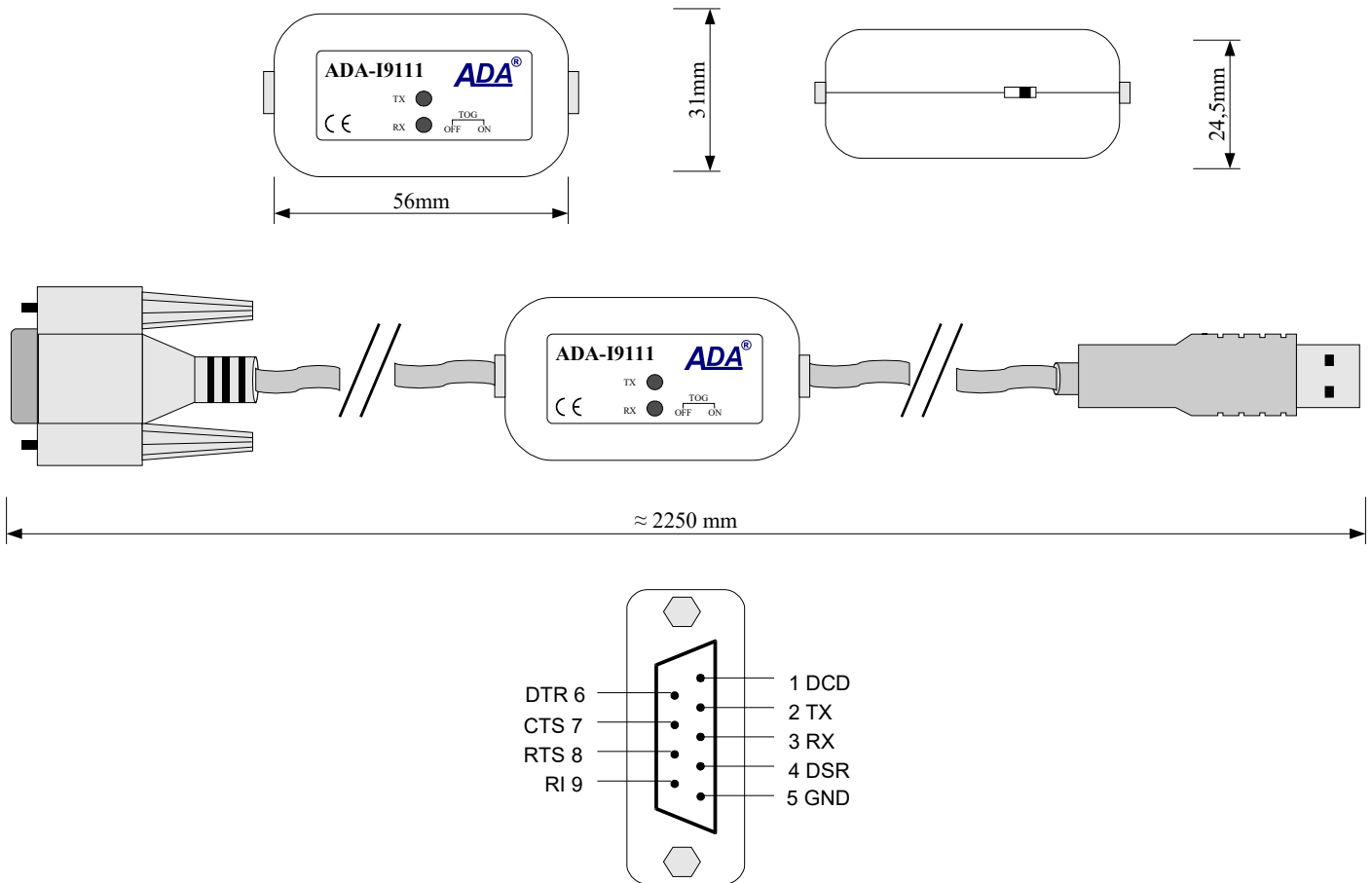
#### TECHNICAL DATA

Transmission Parameters		
Interface	USB	RS-232
Connector	USB A-type	Cable with RS232 DSUB-9M (male)
Max. Line length	up to 5 m	up to 15 m
Max. number of connected device	1	1

Transmission line	Standard USB cable	DB9F/DB9M multi-wire cable 9x0,34 shielded (up to 15m) or twisted cable 9-pairs UTP 9x2x0,5 (24AWG) e shield inside large interferences (STP 9x2x0,5 (24AWG)).
Standards	USB1.1, USB2.0	EIA-232, CCITT V.24
Max. baud rate	up to 921,6 kbps (Standard) / up to 500 kbps (Profibus)	
Transmission type	Asynchronism half duplex or full duplex,	
Optical Signalization	<ul style="list-style-type: none"> <li>• RX – red LED received data</li> <li>• TX – yellow LED transmitted data,</li> </ul>	
<b>Electrical Parameters</b>		
Power requirements	from USB of Computer	
Power Cable	Not applicable	
Power	< 0,5 W	
Protection from reverse power polarization	Not applicable	
Galvanic Isolation	No	
Optoisolation	No	
Electromagnetic compatibility	Resistance to disruptions according to the standard PN-EN 55024. Emission of disruptions according to the standard PN-EN 55022.	
Safety requiring	According to the PN-EN60950 norm.	
Environment	Commercial and light industrial.	
<b>Environmental Parameters</b>		
Operating temperature	0 ÷ 50°C	
Humidity	5 ÷ 95% - non-condensing	
Storage temperature	-20 ÷ 70°C	
<b>Casing</b>		
Dimensions (W x D x H)	55 x 24,5 x 31 mm	
Material	ABS	
Degree of casing protection	IP20	
Weight	0,05 kg	
Implementation of Standard	Not applicable	
Location during work	Free	
Mounting method	Not applicable	

#### WITHOUT GALVANIC ISOLATION

## DIMENSIONS AND CONNECTION



## NO VERSIONS